



225MHz~3 GHz MIMO Bi-Directional Amplifier

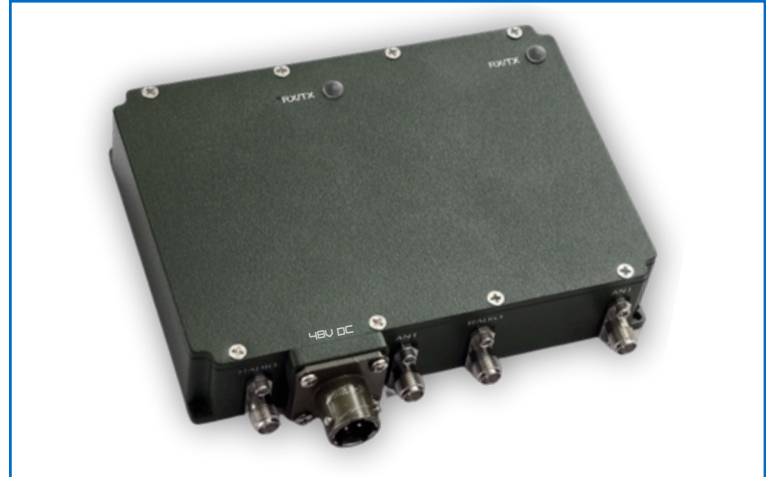
Item # 70-160M
20 Watt Output

Shireen's new Low SWaP MIMO series of Bi-directional Amplifiers

Field proven with TrellisWare TSM waveform, this miniature 20 Watt (each port) amplifier is a wide band amplifier that covers 225 MHz through 3 GHz band, making it ideal for SDR based applications. Equipped with high-speed switching circuit, the unit allows use of high-speed radios. Key features include:

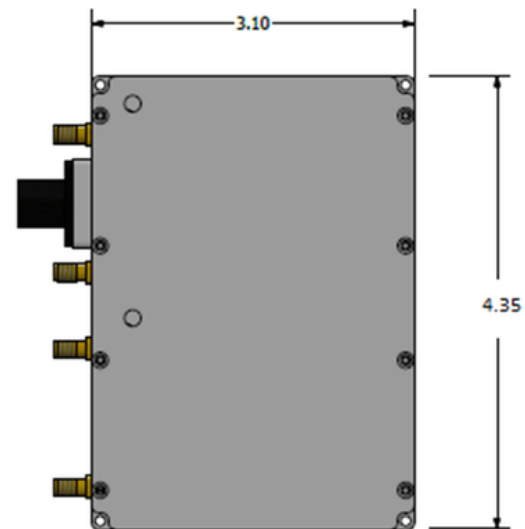
- Failsafe bypass (during power failure)
- 5V TTL bypass optional
- Temperature sensor readings available
- Manual switching option via 3V TTL
- Compatibility with all modern and emerging MANET waveforms.

Also offered in OEM package for system integration and developers.



ELECTRICAL SPECIFICATIONS

Operating Range	225~3000 MHz
Operating Mode	TDD, Time Division Duplex
Tx Peak Power	43 dBm (each port)
Transmit Gain	12 ± 2 dB
Tx Input Power	5 dBm min, 34 dBm max.
Rx Gain	12 ± 2 dB
Noise Figure	<5 dB
T/R Switching	Auto switching at <1 μs; Optional: manual 3V or 5V TTL
LED Indicators	Red for Rx (default mode), Green for Tx
DC Power	48V _{DC}
DC Power Range	46-50 VDC
Power Consumption	With 48V _{DC} , 220 mA Rx, 3.2 Amp @ 10W Tx
Operating Temperature	-40 °C to +70 °C with appropriate heat-sink
Temperature Sensor	Optional per customer needs



MECHANICAL SPECIFICATIONS

Dimensions (approx.)	4.35" x 3.10" x 0.9" w/o connectors.
Weight	382 g





200MHz~3 GHz MIMO
Bi-Directional Amplifier
Item # 70-160M
20 Watt Output

PERFORMANCE CURVES

